

Document code	Rev.	SAVE DATA	PRINT DATA
Brain4_02	4	05/03/14	17/11/17 8:43



MAC s.r.l.

Sede e stabilimento:
 Via Enrico Mattei, 9 - Loc. MORCIOLA
 61022 VALLEFOGLIA (PU)
 Tel. +39 0721 495447 - Fax. +39 0721 495438
 Internet: <http://www.mezzanottifausto.it>
 E-mail: info@mezzanottifausto.it
commerciale@mezzanottifausto.it
 Cod. Fisc. - Partita IVA n. 02246440412

CONTROL BOARD BRAIN 4



INFORMATION:

Customer:

Installing Company:

Timbre&Signature

CAREFULLY READ THE MANUAL BEFORE USE



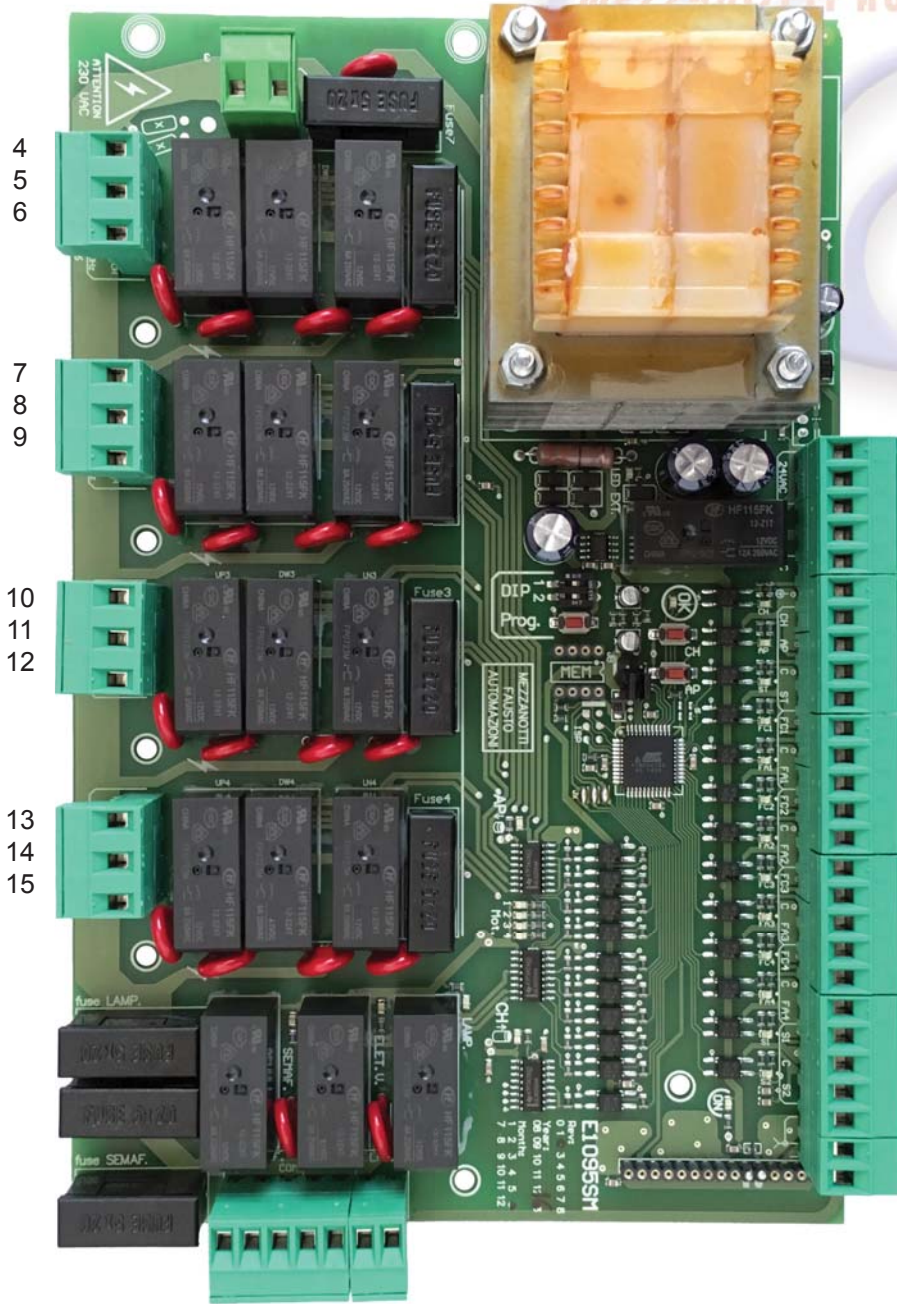
Sommario

ELECTRICAL CONNECTIONS OF CONTROL BOARD	4
2.0 TECHNICAL NOTES	7
2.a) ENTRIES AP / CH	7
2.b) SAFETY ENTRY 1 (S1)	7
SAFETY ENTRY 2 (S2)	7
2.c) OUTPUTS	7
2.d) TRAFFIC LIGHTS (SEMAF.) EXIT 220 Vac	7
2.e) ELECTRICAL VALVE (ELET.V)	7
2.f) FLASHING LIGHT (LAMP.)	7
2.g) EXIT 24Vac	7
2.h) LED LIGHTS SENSITIVE HEAD 24F	8
2.i) M.E.R.	8
2.j) INSTALLATION	8
3.0 PROGRAMMING - FUNCTIONING	9
3.a1) RESET OF THE CONTROL BOARD	9
3.a2) SELF NOTICE OF THE LIMIT SWITCHES INPUTS	9
3.b) RADIO CODES PROGRAMMING	9
3.c) COMBINATION RADIO FUNCTION	9
3.d) CANCELLATION OF A SINGLE RADIO CODE	9
3.e) CANCELLATION OF A GROUP OF CODES	9
3.f) AUTOMATIC RISE OF BOLLARDS TO THE REVIVAL OF POWER SUPPLY(function save car parking)	10
3.f1) PROGRAMMATION TIME OF AUTOMATIC RECLOSING	10
3.g) DELETE OF THE AUTOMATIC RECLOSING	10
3.h) PROGRAMMING OF THE TRAFFIC LIGHTS WAITING TIME	10
3.i) WORKING TIME OF THE PISTONS PROGRAMMING	10
3.l) CLOCK LOGIC ACTIVATION	10
3.m) ACTIVATION OF HYDRAULIC PRESSURE MAINTENANCE	11
3.n) SEQUENTIAL STARTING UP OF THE ENGINES	11
3.o) EXCLUSION OF THE DELAY TIME OF THE LIMIT SWITCH	11
3.o) RADIO / REMOTE CONTROL PROGRAMMING:	12
4.0 SAFETY WARNINGS FOR MAINTENANCE AND USE	14
WARNINGS	14
MAINTENANCE	14
FOR THE USER	14
WARRANTY	14
Guide for the causes research of some drawbacks	14



POWER SUPPLY 230Vac
1 2 3

ENGINE OUTPUTS FOR BOLLARDS



- 23
- 24 24Vac
- 25 LED
- 26 Com.
- 27 Ground
- 28 INPUTS
- 29
- 30
- 31
- 32
- 33
- 34
- 35
- 36
- 37
- 38
- 39
- 40
- 41
- 42
- 43
- 44
- 45
- 46
- 47
- 48
- 49

16 17 18 19 20 21 22
TRAFFIC LIGHT-ELECTR -LAMP



Before the installation, please read carefully this instruction book.
The Company declines every responsibility in case of non-compliance with the laws in force in the country where the installation is made.

ELECTRICAL CONNECTIONS OF CONTROL BOARD

ENTRIES	BOLLARD	CONTACT
CH Close button	29	NA
AP Open button+clock function	30	NA
C COMMON +15 VCC	31	
ST EMERGENCY STOP	32	NC
Fn LIMIT SWITCH BOLLARD 1		
FC1 LIMIT SWITCH CLOSE M1 (Fn CLOSED)	33	NC
C COMMON +15 VCC	34	
FA1 LIMIT SWITCH OPEN M1 (Fn OPEN)	35	NC
Fn LIMIT SWITCH BOLLARD 2		
FC2 LIMIT SWITCH CLOSE M2(Fn CLOSED)	36	NC
C COMMON +15 VCC	37	
FA2 LIMIT SWITCH OPEN M2 (Fn OPEN)	38	NC
Fn LIMIT SWITCH BOLLARD 3		
FC3 LIMIT SWITCH CLOSE M3(Fn CLOSED)	39	NC
C COMMON +15 VCC	40	
FA3 LIMIT SWITCH OPEN M3 (Fn OPEN)	41	NC
Fn LIMIT SWITCH BOLLARD 4		
FC4 LIMIT SWITCH CLOSE M4(Fn CLOSED)	42	NC
C COMMON 15+ VCC	43	
FA4 LIMIT SWITCH OPEN M4 (Fn OPEN)	44	NC
SAFETY DEVICE		
S1 SAFETY1(Coils, photocells Sens.Head 2fn)	45	NC
C COMMON +15 VCC	46	NC
S2 SAFETY2(sens.head.1fn)	47	NC

CONTROL BOARD



OUTPUTS	TERMINAL LOCK	NOTES
POWER SUPPLY OF AUXILIARY ACCESSORIES	23 24	24Vac MAX800mA
LED BRIGHT HEADS BOLLARDS MAX n°4	25 (-) 26(+)	30Vcc MAX120mA
COMMON 31-34-37-40-43-46 +15 VCC	27	
MASS CARD (for ground connection)	28	
AUXILIARY ANTENNA OUTPUT	48 49	
TRAFFIC LIGHTS WITH TWO LIGHTS (red/green) MAX300W 220 Vac	16 17 18	GREEN LIGHT RED LIGHT COMMON (neutral)
ELECTRICAL VALVE MAX n°4 (MAX=300W)	19 20	230Vac MAX300W
FLASHING LIGHT (without card)	21 22	230Vac (NO FLASHER)
ENGINE 1*		
OPENING PHASE	4	230Vac MAX500W
COMMON	5	
CLOSING PHASE	6	
ENGINE 2*		
OPENING PHASE	7	230Vac MAX500W
COMMON	8	
CLOSING PHASE	9	
ENGINE 3*		
OPENING PHASE	10	230Vac MAX500W
COMMON	11	
CLOSING PHASE	12	
ENGINE 4*		
OPENING PHASE	13	230Vac MAX500W
COMMON	14	
CLOSING PHASE	15	

POWER SUPPLY INPUT (electronic programmer) CARD	TERMINAL LOCK	NOTES
ENTRY CABLE COMING FROM FEEDER DISCONNECTOR 230Vac 50 Hz	1 2	PHASE NEUTRAL
MASS CARD (for ground connection)	28	

□*□ MAX. 500W FOR ENGINE → MAX. DURATION 10 SECONDS

NOTES	mA (interruption)	FUSES
FUSE FOR ENGINES	5000	F1 , F2 , F3 , F4
FUSE FOR ENTRY + SPOOL RELAY	2500	F5
FUSE FOR ACCESORY 24Vac + LED 30Vdc	2500	F6
FUSE FOR ELECTRONIC POWER SUPPLY	315	F7
FUSE FOR FLASHING LIGHT	2500	Fuse FLASHER
FUSE FOR ELECTRICAL VALVE	2500	Fuse ELECT.VALVE
FUSE FOR TRAFFIC LIGHTS	2500	Fuse TRAF.LIGHT

DIAGNOSIS LED	SIGLE	STATE (on/off)
<i>The led diagnosis state has been realized at the first ignition of 1 column of the bollards totally lowered The other bollards haven't been connected to the control board (so their inputs are disconnected)</i>		
It lights when there's electrical network	ON	ON
Led for control board programming	OK	OFF
It flashes after the first minute of ignition (The control board is in safety lock)	OK	OFF
It lights up when the bollards are lowered	AP	OFF
It lights up when the bollards are raised	CH	OFF
It lights up when the engine M1 is on	Eng. 1	OFF
It lights up when the engine M2 is on	Eng. 2	OFF
It lights up when the engine M3 is on	Eng. 3	OFF
It lights up when the engine M4 is on	Eng. 4	OFF
It lights up when the flashing light output is on	FLASHING	OFF
It lights up when the electrical valve output is on	ELECT.VALVE	OFF
It lights up with green traffic lights	TRAF.LIGHT	ON
It lights up (described in point 2h) HEAD LIGHT	LED EXT.	OFF
It lights up with pushed button /clock	ENTRY CH	OFF
It lights up with pushed button /access control	ENTRY AP	OFF
It turns off with stop button pushed (The stop button has to be with self retention)	ENTRY ST	ON
It lights up when the bollard M1 is totally down	FC1	ON
It lights up when the bollard M1 is totally up	FA1	OFF
It lights up when the bollard M2 is totally down	FC2	ON
It lights up when the bollard M2 is totally up	FA2	OFF
It lights up when the bollard M3 is totally down	FC3	ON
It lights up when the bollard M3 is totally up	FA3	OFF
It lights up when the bollard M4 is totally down	FC4	ON
It lights up when the bollard M4 is totally up	FA4	OFF
It turns off with detected coil / sens. head (see 2.c)	S1	ON
It turns off with sensitive head pushed (see 2.c)	S2	ON



WARNING:

You must connect the cable of the GROUND in the predisposed terminal lock of the control board: terminal lock number 28.

The current laws make this connection compulsory to avoid inopportune starting or lack of arrest in case of breaking (both on side outputs and inputs).

EVERY BOLLARD HAS LABELED CABLES FOR THE ELECTRICAL CONNECTION WITH THE CONTROL BOARD.



2.0 TECHNICAL NOTES

2.a) ENTRIES AP / CH

The contacts to insert in these two inputs are contacts without tension (N.A.), input AP makes the bollard goes down, input CH rises the bollard.

ENTRY AP

is possible to connect in parallel to this entry the following devices:

- Button N.A.
- Sound recognizer for emergency vehicles (police, ambulance, ecc.)
- Access control: telepass, plates reader, magnetic coil, ecc.

ENTRY CH

It is possible to connect in parallel to this entry the following devices:

- Button N.A.
- Clock's logic contact (optional hardware) (activate the programm. 3.l)

2.b) SAFETY ENTRY 1 (S1)

It has been projected for the entry of any safety device (also if they are connected in series), this entry allows the reversal of the running direction (only if the bollard is closing the passage).

Devices connectable to this entry:

- Magnetic revelator single/double coil
- Active modulated infrared photocells
- Precalibrated pressure switch
- n°1 positive opening limit switch installed under the sensitive head
- Any devices that respect the current law

NOTE: bypass the entry if not used

SAFETY ENTRY 2 (S2)

It has been projected JUST for SPECIFIC entries.

This input guarantees redundancy and security; using positive limit switches we ensure a positive opening of the spools of the relay of the single bollard (as in current law).

Devices connectable to this entry:

- n°2 positive opening limit switches installed under the sensitive head.

NOTE: bypass the input if not used

2.c) OUTPUTS

Specific circuit for the starting up of an engine to improve the performances of the bollard (prevention against malfunctions, route defusing, ex. glued contacts).

2.d) TRAFFIC LIGHTS (SEMAF.) EXIT 220 Vac

It has been projected to ensure a safe passage of the vehicle in the passage protected by the bollard. The green light will appear when the passage will be free from any obstacle.

2.e) ELECTRICAL VALVE (ELET.V)

It has been projected to guarantee the passage even in case of power failure. The electrical valve will make the bollard go down up to the ground level.

In the version for the MINISTRY OF TRANSPORT the electrical valve is compulsory. The electrical valve is a valve controlled by electricity NA (Normally Open) so that when the diagnostic led is on it means that the electrical valve is active and the valve is closed.

2.f) FLASHING LIGHT (LAMP.)

Use a flasher provided with flashing card. The output of the card is 230 Vdc continuous.

The flashing card will let flash the flashing light.

When the flashing light is active:

- “Advance warning time” before the starting up of the engines M1,M2,M3,M4
- When the engines are on
- “Waiting time of traffic lights”
- Little flashes followed by a long pause when the bollard is in automatic reclosing.

2.g) EXIT 24Vac

It is used for the power supply of the auxiliary devices (ex. Photocells).



2.h) LED LIGHTS SENSITIVE HEAD 24F

It has been projected to supply power to 4 flashing/fixed bright heads according to the movement of the bollard:

- Fixed light with high bollard
- Light off with low bollard in pause time (traffic light time)
- Quick flashing light when the bollard rising up
- Slow flashing light when the bollards going down
- Fixed light when the bollard stops

2.i) M.E.R.

MECHANICAL ELECTRONIC REDUNDANCY. The control board is provided with a redundancy system that ensures the proper functioning of the bollard even in presence of a breakdown.

Thanks to this system it is possible to check the whole control board to detect any breakdown of a component or a malfunction of an accessory of the system, so that if the automation is provided of an electrical valve allowing the bollard to go down until the ground, it guarantees absolute security.

2.j) INSTALLATION

- The control board must be installed in a protected and dry place with its own protection box.
 - Install a circuit breaker of type 0,03A, high sensitivity to the supply of the control board.
 - Make sure the supply of the control board is 230Vac $\pm 10\%$ 50Hz.
 - For the control board, electrical motor, flashing light, traffic lights, electrical valve; use cables with wire not less than 1,5mm² up to 50m of distance; for limit switches and accessories of command and safety use cables with wires of 1mm².
 - For distances of more than 50 meters use the appropriate wires with the suitable section for the installation.
- Note: for applications such as lights, cameras etc. use static relays.
- The installation should be made by competent staff and in compliance with the legislation in force.
 - Before starting the installation verify the integrity of the control board.
 - The installation, the electrical connections and the regulations must be done "by the book".
 - Packaging Materials (cardboard, plastic, polystyrene, etc.) should not be dispersed into the environment.
 - Do not install the control board in environment exposed to danger or disturbed by electro-magnetic fields. The presence of gas or flammable smokes is a great danger for safety.
 - Provide on the supply network a protection for extra tensions, a switch/ disconnecting switch and/or differential suitable with the product and with the current law.
 - The builder declines every responsibility if other devices and/or components incompatible with the product for integrity are installed, safety and functioning of the product.
 - For reparation or substitution only original spare parts must be used.
 - The installer must give all the information related to the functioning, maintenance and use of the single parts and of the system in its entirety following the laws EN 12635, EN 12453 e EN 12445.



3.0 PROGRAMMING - FUNCTIONING

3.a1) RESET OF THE CONTROL BOARD

This function allows to go back to the basic programming;

Working time 8 seconds

Traffic lights waiting time 10 seconds

Limit switch delayed of 200 ms

Automatic reclosing excluded

Basic radio code: button 1 of a TX type 53200 with DIP 1,3,5,7,9 in ON and DIP 2,4,6,8,10 in OFF

RESET PROCEDURE:

- 1) Push and keep pushed the button PROG (II led OK and led EXT are fixed on)
- 2) After about 3 seconds the led OK starts to flash quickly
- 3) Release the button PROG, the led OK keeps flashing.
- 4) Open the contact to entrance STOP (if there is, push the stop button) for at least 5 seconds.
The led OK starts to flash quickly.
- 5) Reclose the contact to entrance STOP
- 6) When the led ends to flash and it is off, the reset has been completed.

3.a2) SELF NOTICE OF THE LIMIT SWITCHES INPUTS

When the control board is on, the microprocessor checks the limit switches inputs.

If during the starting up of the control board the limit switches of the engines 2,3,4 are not on the entrances, the microprocessor excludes automatically the inputs and the engines 2,3,4 will not be moved from the control board.

Note: Thanks to this mechanism you don't NEED to bridge the inputs of the limit switches that are not used.



3.b) RADIO CODES PROGRAMMING

PROCEDURE:

- 1) Push once the PROG button (the OK and EXT leds are fixed on)
- 2) Send the radio code to be memorized keeping a distance of at least 150 cm from the control board.
- 3) If the code has been memorized the led OK makes a flash.
- 4) If you have to memorize other codes repeat from point 3.
- 5) To exit from radio code programming push twice the PROG button (the OK led turns off)

3.c) COMBINATION RADIO FUNCTION

If during the sending of the code to memorize (point 3) no input is active the command is combined to the function "Only Open" for all 4 pistons.

To combine to radio command the Start function(Open/Close) for all 4 pistons, push the buttons ap and ch together.

To combine, to the radio command only to piston 1 push the button AP while the code is sending.

To combine, to the radio command only to piston 2 push the button CH while the code is sending.

To combine, to the radio command only to piston 3 open ONLY the contact SIC1 while the code is sending.

To combine, to the radio command only to piston 4 open ONLY the contact SIC2 while the code is sending.

To combine, to the radio command only to function STOP (for all pistons) activate the entrance STOP (open the contact) while the code is sending.

3.d) CANCELLATION OF A SINGLE RADIO CODE

PROCEDURE:

- 1) Push twice the PROG button (the led OK is on, fixed, while the EXT leds are flashing)
- 2) Send the radio code to be cancelled
- 3) If the led OK makes 3 flashes, the code has been cancelled, if it makes 1 slow flash it means that the code is not memorized.
- 4) To cancel other codes repeat from point 3
- 5) To exit from CODE CANCELLATION push twice the PROG button (the led OK and the external leds turn off)

3.e) CANCELLATION OF A GROUP OF CODES

This function allows you to cancel with a single operation all the codes of the same kind

PROCEDURE:

- 1) Push twice the PROG button (the led OK is fixed on, while the leds EXT are flashing)
- 2) Select the group to be cancelled:
 - Button AP+CH (push at the same time) >> canc. all codes Open/Close
 - Button AP >> canc. All the codes for PISTON 1
 - Button CH >> canc. All the codes for PISTON 2
 - Button SIC1 >> canc. All the codes for PISTON 3
 - Button SIC2 >> canc. All the codes for PISTON 4
 - Entrance STOP >> canc. all the codes STOP
- 3) The led OK flashes quickly during the cancellation process
- 4) When the led OK turns off the procedure is finished

3.f) AUTOMATIC RISE OF BOLLARDS TO THE REVIVAL OF POWER SUPPLY(function save car parking)

To the revival of power supply the control board commands the automatic rise of all the bollards ,only if the time of automatic reclosing has been programmed.

Check these following points 3.f1 and 3.f2 for the programming and the cancellation of automatic reclosing.

3.f1) PROGRAMMATION TIME OF AUTOMATIC RECLOSING

PROCEDURE:

- 1) Push and keep pushed the PROG button (the led OK and the leds EXT are on, fixed)
- 2) After about 3 seconds the led OK starts to flash
- 3) Release the PROG button, the led OK keeps flashing
- 4) Push and keep pushed the CH button for the time you wish to memorize
- 5) When the CH button is released the led OK turns off and the procedure is finished

WARNING: Programming the time of automatic reclosing, is activated also the automatic rise at the revival of power supply.(Check point 3.f).

During the normal functioning the automatic reclosing can be excluded sending a START/STOP command during the pause or activating the EMERGENCY STOP

3.g) DELETE OF THE AUTOMATIC RECLOSING

PROCEDURE:

- 6) Push and keep pushed the PROG button (led OK and led EXT are on, fixed)
- 7) After about 3 seconds led OK starts to flash
- 8) Release PROG button, led OK continues to flash
- 9) Open ONLY the contact to the entrance: SIC2
- 10) Led OK flashes: the erasing process is happening
- 12) When the led turns off the procedure is finished

WARNING: Deleting the time of automatic reclosing, is deactivated also the automatic rise at the revival of power supply.(Check point 3.f).

3.h) PROGRAMMING OF THE TRAFFIC LIGHTS WAITING TIME

The waiting time of traffic light is the time that need the traffic light to exchange the green into red (this time has to be timed after the end of pause time).

In order to calculate the time it's necessary to measure with a chronometer the necessary time that it own a vehicle to go through and to free the passage.

During the waiting time of traffic light the flashing light is flashing.

PROCEDURE:

- 1) Push and keep pushed the PROG button (the led OK and the leds EXT are on, fixed)
- 2) After about 3 seconds the led OK starts flashing.
- 3) Release the PROG button, the led OK go on flashing.
- 4) Push and keep pushed the AP button for the time you want memorize.
- 5) When the AP button is released, the OK led turns off and the procedure's finished

3.i) WORKING TIME OF THE PISTONS PROGRAMMING

PROCEDURE:

- 1) Push and keep pushed the PROG button(the led OK and the led EXT are on, fixed)
- 2) After about 3 seconds the led OK starts flashing
- 3) Release the PROG button, the led OK keeps flashing
- 4) Open ONLY the contact to entrance SIC1 for the time you wish to memorize
- 5) When the contact S1 is closed, the led OK turns off and the procedure is finished

WARNING: Use the condenser 20µF for the connections of the engines

- To obtain a better starting of power use the following condensers:
- Condensers: 20µF, 25µF.

3.I) CLOCK LOGIC ACTIVATION

To activate the clock logic you have to place DIP1 on "ON".

Note: when this logic is activated you have to connect the clock contact without power instead of the input CH (clamps 31-29).

Thanks to this function the road will be open until the contact of the clock is closed and it will close when the clock contact is opened.

In case of power failure, at the revival of power the central guarantees the reopening or the reclosing even if the clock has commuted while the central was off.

When the clock contact is closed, the pause management is excluded.

If during the automatic reclosing of the clock, the SECURITY 1 intervenes, the bollard reopens and it will try to re-close after 5 minutes. The closing attempts will continue until the bollard isn't closed or coming a user's command.



If it is pushed with an opening button from a transmitter or from a control board, the bollard does a safety lowering, if the clock contact is still open, the bollard will do the rise again (The control board before doing the rise always verify all the securities, and always after the pause time and the waiting time of traffic light).

3.m) ACTIVATION OF HYDRAULIC PRESSURE MAINTENANCE

To activate this function you have to place DIP 2 on "ON".

When the system is in CLOSED state, the control board check the position of closing limit switches.

If the limit switches are exchanged their state, due pistons lowering, the control board commands the closing of the bollard.

The control is done every 10 minutes and the forced closing lasts up to the reaching of the limit switches or to a maximum of 3 seconds. Before the forced closing the bollard makes some signaling flashes (examples: quick start flash of sensitive head +led ORION)

The flashing light doesn't work during the forced closing.

During the forced closing the securities S1 and S2 don't order the inversion but only the stop.

3.n) SEQUENTIAL STARTING UP OF THE ENGINES

With this function the engines don't start up at the same time but in sequence:

M1 >> M2 >> M3 >> M4.

PROCEDURE:

- 1) Turn off the control board
- 2) Insert the jumper in the position JA.

3.o) EXCLUSION OF THE DELAY TIME OF THE LIMIT SWITCH

Usually the engines stop after 250ms from the opening of the contact of the limit switch(JB open). Thanks to this procedure it is possible to exclude the delay letting stop the engines as soon as the limit switch contact is opened(JB close).

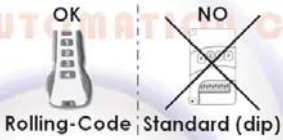



On the electromechanical bollards is necessary to exclude the delay time of the limit switch.

PROCEDURE:

- 3) Turn off the control board
- 4) Insert the jumper in the position JB (It is advisable to insert the jumper JB for electromechanical bollard)



3.o) RADIO / REMOTE CONTROL PROGRAMMING:

TRANSMITTERS PROGRAMMING BY RADIO	OPERATIONS	IMAGES
<p>This procedure allows to program a new radio code without intervene directly on the board.</p> <p>The operation of programming are all by radio, using a transmitter already programmed on the control board.</p>	<p>The following operations are valid only if in the control board are exclusively memorized codes of type Rolling-Code.</p> <p>The functions of the new code can be selected during the programming according to the same criterions used for the normal programming.</p>	
<p>If you need to memorize more radio codes it will repeat each time the procedure from the beginning.</p>	<p>1) Send a command to the control board with an IRIS RC transmitter already inserted in memory.</p>	
<p>This function is available only if in the control board are memorized exclusively Rolling-Code codes.</p>	<p>2) Within 8 seconds push together the buttons 1 and 3 of IRIS RC transmitter used in the previous point.</p> <p>The control board is in programm.</p>	
	<p>3) Within 8 seconds send a new radio code (rolling code) of the transmitter to be memorized.</p> <p>If you don't send any new code, the external receiver exits from the program after 8 sec.</p>	
	<p>4) Check the new memorized code and if is not correct repeat the procedure.</p>	

CONTROL BOARD



EXTERNAL MEMORY	OPERATIONS	IMAGES
<p>If you put the modulus of the external memory on the central it is possible to expand the memory capacity of the radio codes from 160 standard codes and 60 Rolling Codes to 8000 standard codes and 2000 Rolling Codes.</p> <p>When the central notices the presence of the external memory, the management of the internal memory is being excluded, that is the radio codes memorized before the putting of the new memory do not work.</p> <p>If you want to keep the codes previously memorized you have to follow the procedure of copy memory INT-----> EXT described below.</p>	<p>1) Turn off the central and insert the modulus of memory on the 8 pin skirting board (MEM) respecting the following warnings:</p>	
	<p>Handle with care the external modulus. Don't wet it, don't let it fall, don't let it be exposed to electromagnetic fields or heat sources.</p>	
	<p>The assembly on the card must be done respecting the polarity of the component. The foot n. 1 on the card is shown by a white ring.</p>	
	<p>2) Put the modulus on the skirting board and verify that all pins are in line with each hole. Insert the modulus pushing it towards the card. Pay attention not to fold the pins.</p>	
	<p>Before memorizing the new radio codes execute the copy of the internal memory on the external one, or the procedure of reset</p>	

COPY MEMORY INT----->EXT :	OPERATIONS	IMAGES
<p>This function is available only if there is a modulus of external memory. When the central notice the presence of the external memory, the management of the internal memory is automatically excluded, that is that the radio codes memorized before the insert of the new memory don't work.</p> <p>This procedure allows to keep the codes memorized in the internal memory making a copy of the codes from the internal memory to the external one.</p>	<p>Turn off the central. Push and keep pushing the PROG button.</p>	<p>SPEGNERE LA CENTRALE </p>
	<p>Turn on the central. The OK led makes quick flashes and then it stays on fixed.</p>	<p>ACCENDERE LA CENTRALE </p>
	<p>Wait until the led doesn't start to flash again (about 3 seconds)</p>	<p>Attendere LAMPEG. </p>
	<p>When the led OK stops flashing and turns off the copy is finished. (copy time: about 60 seconds)</p>	<p>Attendere SPENTO </p>

4.0 SAFETY WARNINGS FOR MAINTENANCE AND USE

WARNINGS

These warnings are integral and essential parts of the electronics and they are to be given to the final user. So it is necessary to keep this INSTRUCTION BOOK.

Read carefully the instruction book which gives important indications about the installation.

The wrong installation or the improper use could create great danger.

MAINTENANCE

To guarantee the efficiency of the control board professional staff must make the maintenance in times decided by the installer, by the producer and by the legislation in force.

The operations of installation, maintenance, reparation and cleaning must be documented.

This documentation is to be kept by the user.

FOR THE USER

Read carefully the instructions and the documents enclosed.

The product must be used according to the use designed by the.

Any other use is to be considered improper and then dangerous. Moreover, the information in this document and in the enclosed documents can be modified without notice.

The Company declines all responsibility.

In case of maintenance, cleaning, breakdown or malfunction of the product, turn off the power supply and avoid any attempt of intervention except where indicated.

Call the Company staff before any maintenance or sending of damaged/broken material.

WARRANTY

The guarantee will be valid for twelve (24) months from the selling.

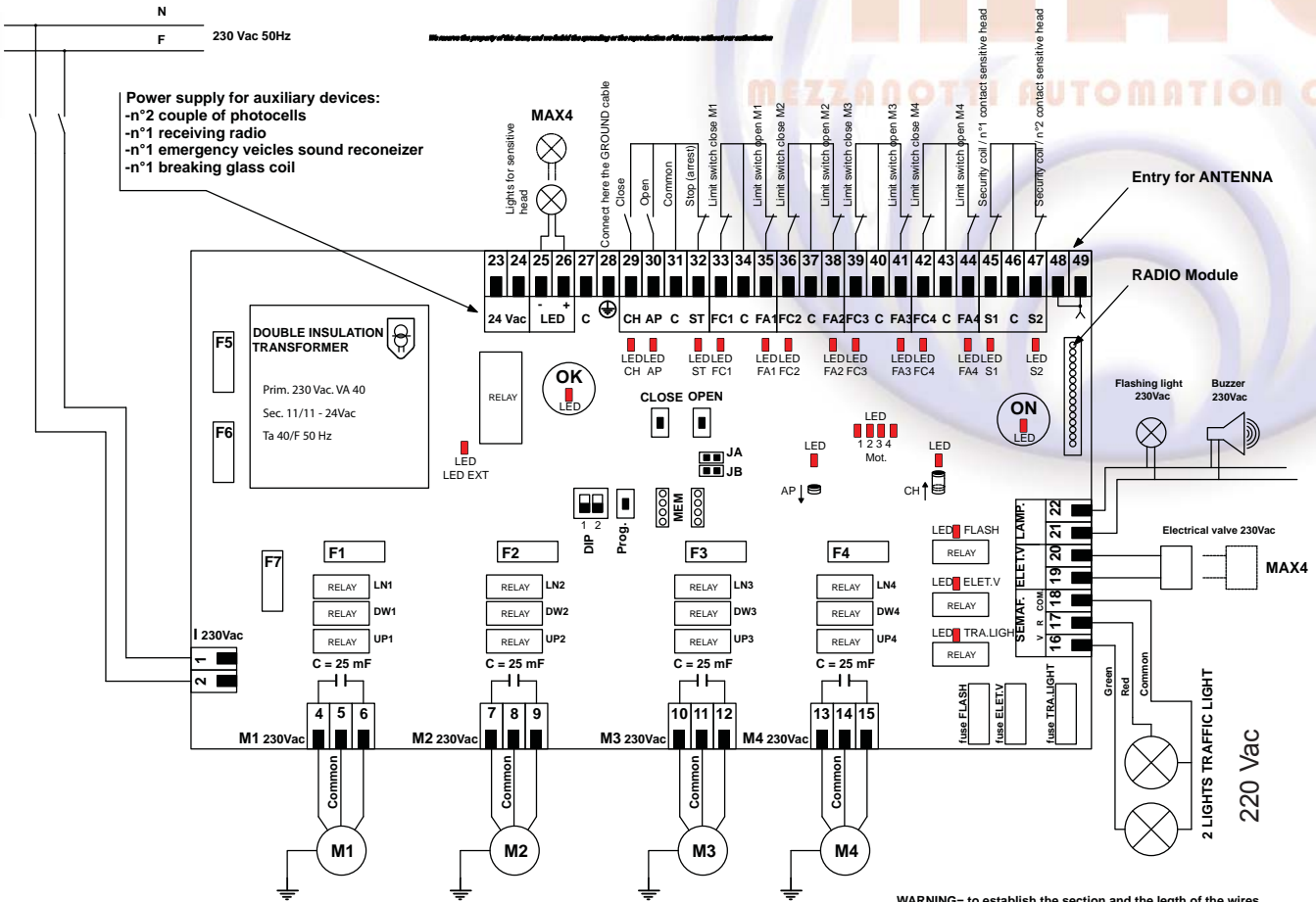
It decays in case of: negligence, mistake or bad use of the product, use of non-compliance accessories to the specific of the builder, operated by the customer or by a third party, natural causes (lightnings, floods, fire, ect.), tampering, vandalism acts, changes in the environmental conditions in the installation place. The guarantee does not include, moreover, parts that suffer wear. (batteries, oil, ect.)

The purchase of the product implies the complete acceptance of the general sale conditions.

GUIDE FOR THE CAUSES RESEARCH OF SOME DRAWBACKS

N	DRAWBACKS	PROBABLE CAUSES	HYPOTESIS OF FAULT	SOLUTIONS
1	BOLLARD NO RISE (wrong connections)	-wrong sense of rotation -reversed limit switch -lack of electrical power -control board damaged -fuses damaged	-wrong connection of electrical engine -wrong limit switch connection -sectional switch open -control board damaged -high absorption peak -short circuit on the side engine, electrical valve, inputs, output 24Vac, traffic light	-rewire the electrical engine on the control board (reverse wires rise/fall) -rewire magnetic limit switches (reverse limit switch close with open-rise) -reactivate sectional switch -substitute the control board -substitute the fuse with others appropriate -check and solve the damage
2	BOLLARD NO RISE COMPLETELY (during the rise the bollard stops)	-bollard stops at the mid of the stroke - magnetic limit switches are closed (lights FC1 e FA1 switch on about MOT1)	-wrong programming of working time -magnetic limit switch out reading zone of magnet	-program again the working time -establish the right position for limit switches reading between the magnet and the sensor (bringing near the magnetic limit switch)





Power supply for auxiliary devices:
 -n°2 couple of photocells
 -n°1 receiving radio
 -n°1 emergency veicles sound reconizer
 -n°1 breaking glass coil

WARNING= to establish the section and the leghth of the wires carefully read the manual of the control board at point 2.m



